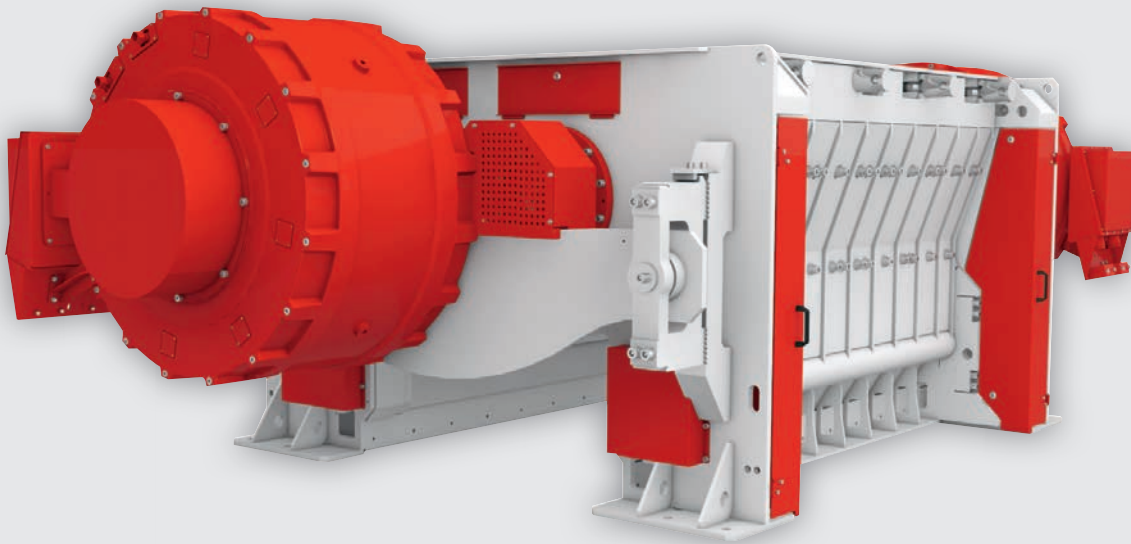


# TAIFUN 190

TECHNOLOGY FOR A SUSTAINABLE TOMORROW



Shredding



## APPLICATION

For domestic, bulky and commercial waste, used timber and production waste.

**Vecoplan**<sup>®</sup>

# TAIFUN 190

TECHNOLOGY FOR A SUSTAINABLE TOMORROW

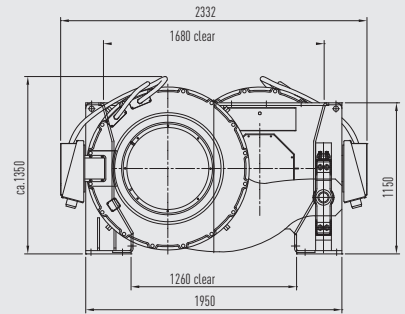
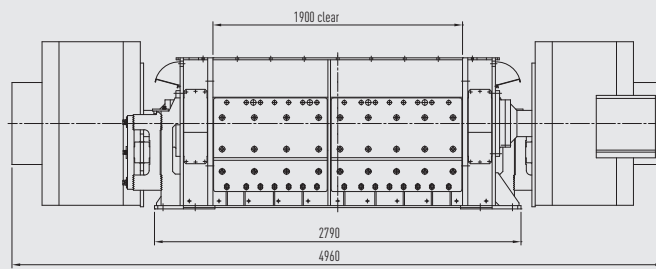


Shredding

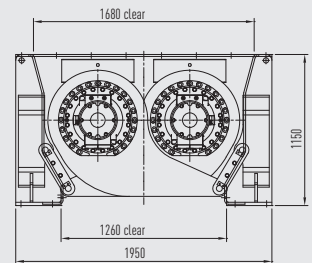
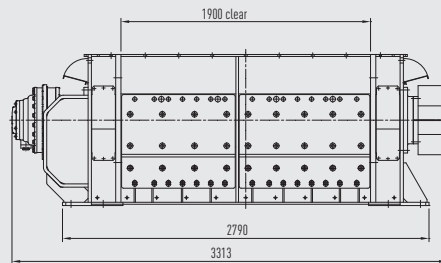
Side view

Front view

Taifun 190 T  
(HiTorc drive)



Taifun 190 H  
(hydraulic drive)



## DETAILS

		Taifun 190 T	Taifun 190 H
Infeed opening	mm	1680 x 1900	
Rotor dimensions	mm	2 x 640 bis 765 x 1900	
Rotor speed	rpm	0 - 85	0 - 45
Motor power	kW	2 x 155	1 x 200
Weight approx.	t	20	16
Overall dimensions	mm	496 x 245 x 167	317 x 245 x 155

Subject to technical changes without notice / Detailed dimension drawings and load data available on request / Dated: 04/2012