

VIBRATING CONVEYOR VR

TECHNOLOGY FOR A SUSTAINABLE TOMORROW



Conveying

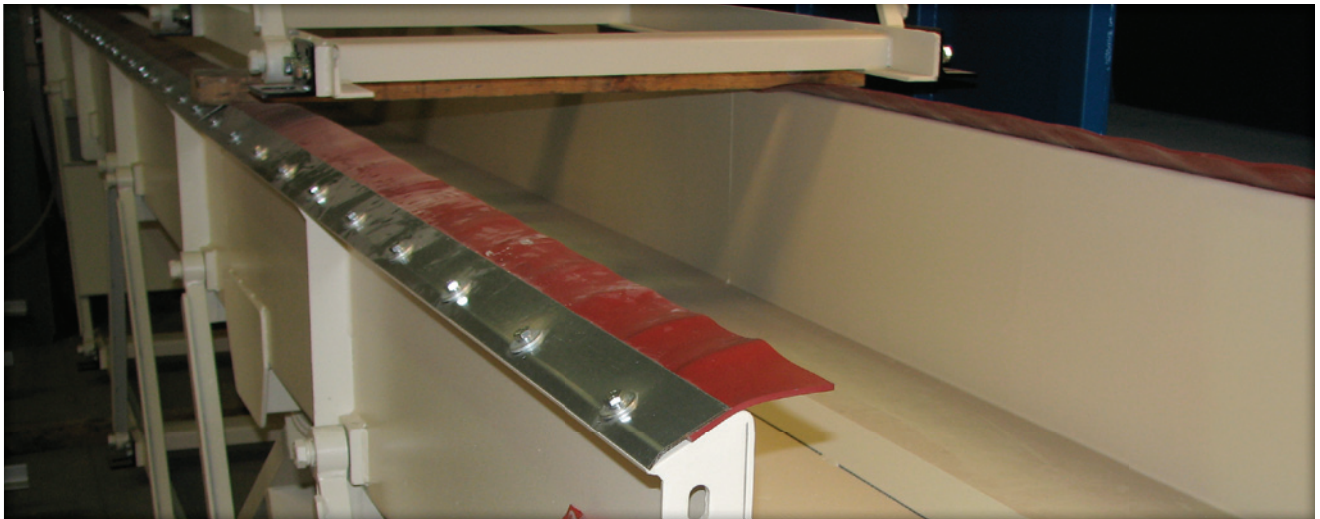


APPLICATION

Horizontal conveying of lumbers and wood waste occurring in characteristic carpenter's and joiner's workshops, as well as plastics and paper. Larger series also available for log wood and trimmings.

Vecoplan[®]

VIBRATING CONVEYOR VR



DETAILS

		Series 8
Width of trough "B(T)"	mm	350 450 550 650 750 850
Max. length of trough		
350 / 450:		28.000
550 / 650:	mm	21.000
750 / 850:		19.000
Height of trough "H(T)"	mm	120
Headroom up to bottom plate trough "h"	mm	400
Thickness of metal sheet "t"	mm	4
Max. motor power	kW	5,5 kW
Optional		
Trapeziform cross section of trough		
Screening zone (perforation: square/round/stud perforation, fins)		
Metal free zone		
Extra inlet		
Extra outlet		
Trough conveyor inclined		
Trough conveyor sloping		
Operation control		
Mounting parts available (e.g. metal detector, vibrating feeder chute, etc.)		

Subject to technical changes without notice / Dated: 02/2012



Conveying

DETAILS

		Series 12	Series 15	Series 18	Series 20	Series 25	Series 27	
Width of trough "B(T)"	mm	450 550 650 750 850 950 1050 1150 1250						
Max. length of trough								
450:		28.000	21.500	21.500	21.500	15.500	15.500	
550:		21.500	21.500	18.500	18.500	15.500	12.500	
650:		21.500	18.500	18.500	18.500	12.500	12.500	
750:		18.500	18.500	15.500	15.500	12.500	on request	
850:	mm	15.500	15.500	15.500	15.500	12.500	on request	
950:		on request	on request	on request	on request	on request	on request	
1050:		on request	on request	on request	on request	on request	on request	
1150:		on request	on request	on request	on request	on request	on request	
1250:		on request	on request	on request	on request	on request	on request	
Height of trough "H(T)"	mm	160	190	220	240	260	310	
Headroom up to bottom plate trough "h"	mm	430	480	470	470	490	470	
Thickness of metal sheet "t"	mm	4				5		
Max. motor power	kW	5,5						

Series 30

Width of trough "B(T)"	mm	520 620 720 820 920 1020 1120 1220 1320 1420 1520 1620					
Max. length of trough							
520 / 600:				25.000			
720 / 820 / 920:				20.000			
1020 / 1120 / 1220:	mm			17.000			
1320 / 1420:				14.000			
1520 / 1620:				14.000			
Height of trough "H(T)"	mm	340					
Headroom up to bottom plate trough "h"	mm	540					
Thickness of metal sheet "t"	mm	6					
Max. motor power	kW	11					

Optional

Trapeziform cross section of trough
Screening zone (perforation: square/round/stud perforation, fins)
Metal free zone
Extra inlet
Extra outlet
Trough conveyor inclined
Trough conveyor sloping
Operation control
Mounting parts available (e.g. metal detector, vibrating feeder chute, etc.)

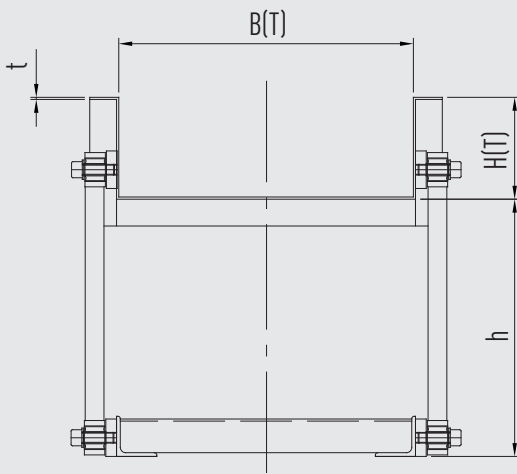
VIBRATING CONVEYOR VR

TECHNOLOGY FOR A SUSTAINABLE TOMORROW

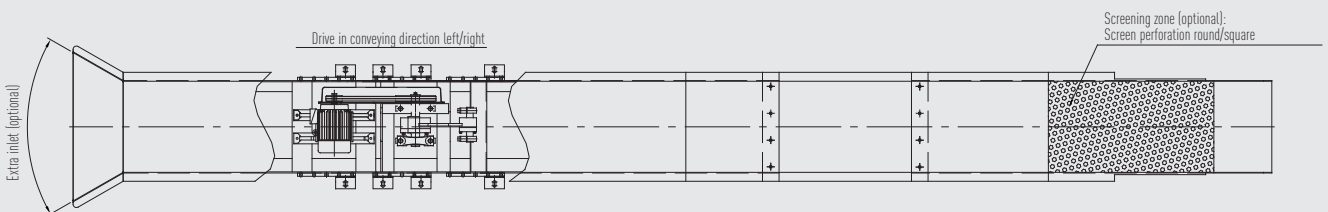
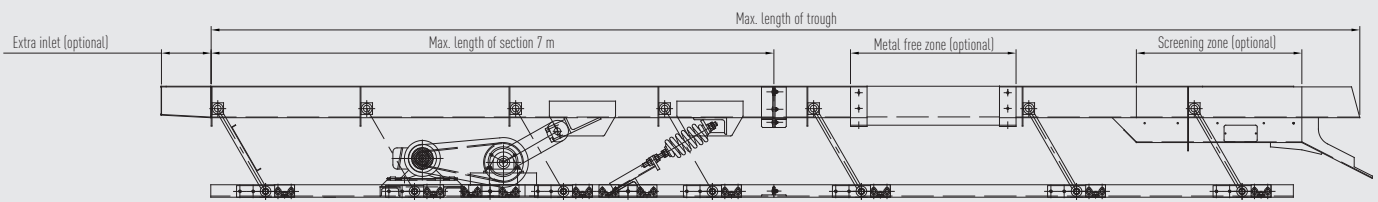
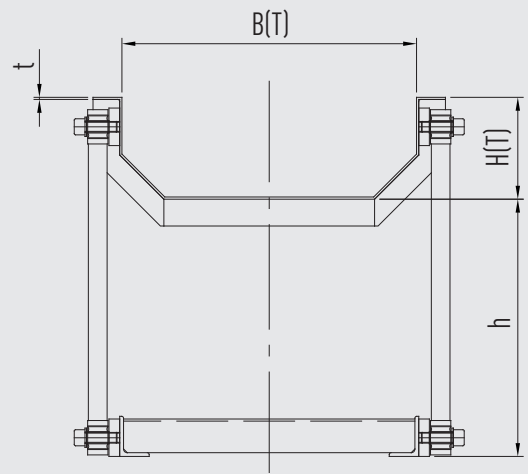


Conveying

Standard trough



Trapeziform cross section of trough (optional)



Picture shows Vibratory Conveyor series 8-27