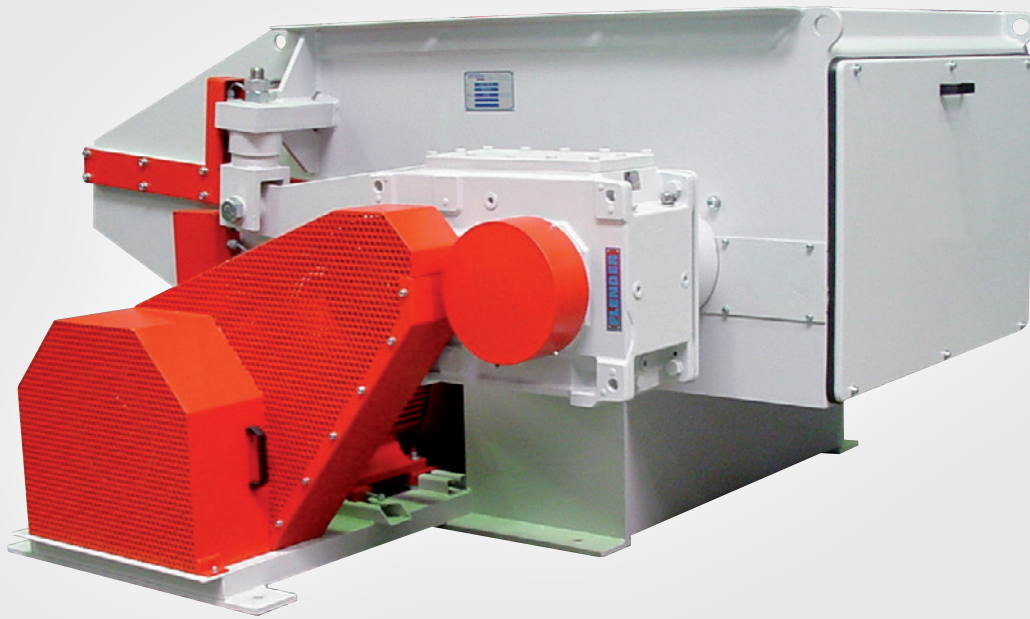


VAZ 800 XL – 1100 XL

TECHNOLOGY FOR A SUSTAINABLE TOMORROW



Shredding



APPLICATION

Solid wood waste (incl. short pieces), medical waste, loose and light materials, such as film, packaging material, chipboard, paper and plastic.

Vecoplan[®]

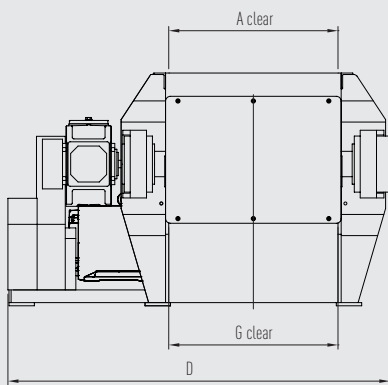
VAZ 800 XL – 1100 XL

TECHNOLOGY FOR A SUSTAINABLE TOMORROW

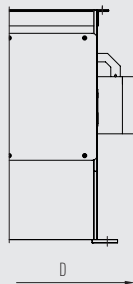


Shredding

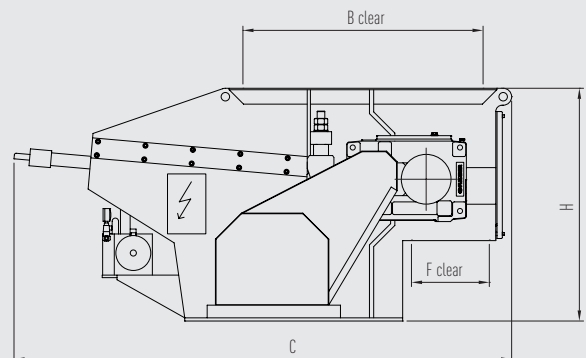
Standard-K



Standard-U



Front view



DIMENSIONS

	Rotor diameter	Infeed opening		Overall dimensions		Material outlet		Height
		A	B	C	D	F	G	
VAZ 800 XL	370	800	1135	2352	1700	340	800	1100
VAZ 800 XL K					1805			
VAZ 1100	235	1075	1240	2567	1990	270	1075	1300
VAZ 1100 K					2100			
VAZ 1100 XL	370	1075	1300	2725	2171	400	1075	1100
VAZ 1100 XL K					2270			

Subject to technical changes without notice / Detailed dimension drawings and load data available on request / Dated 06/2010