

VAZ 700 Z

TECHNOLOGY FOR A SUSTAINABLE TOMORROW



Shredding



APPLICATION

Chipboard, softwood, kiln dried hardwood as well as all wood waste arising in typical carpenter and joinery companies.

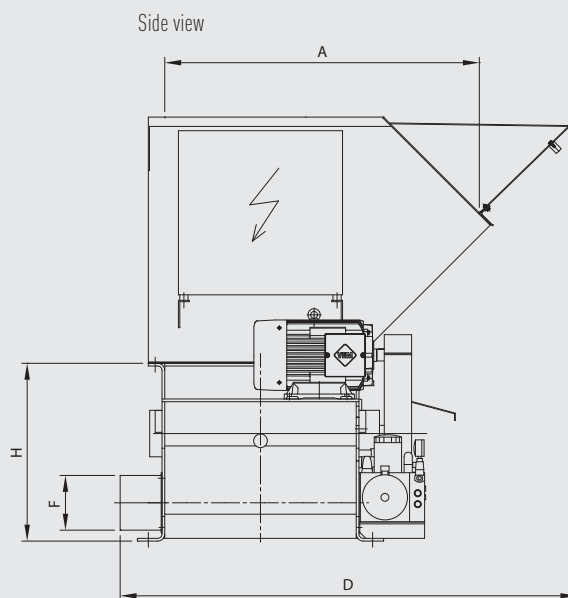
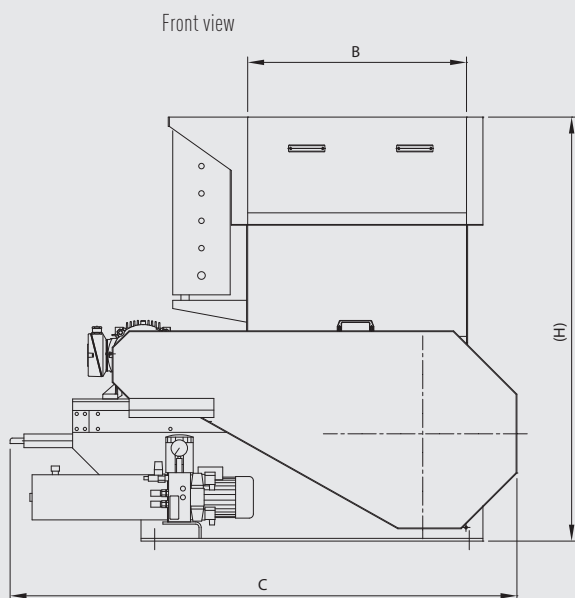
Vecoplan[®]

VAZ 700 Z

TECHNOLOGY FOR A SUSTAINABLE TOMORROW



Shredding



DETAILS

| | | | VAZ 700 Z |
|--------------------|-----|----|-----------|
| Infeed opening | A | mm | 1150 |
| | B | mm | 800 |
| Overall dimensions | C | mm | 1860 |
| | D | mm | 1670 |
| Material outlet | F | mm | D=200 |
| Height | H | mm | 650 |
| | (H) | mm | 1550 |
| Motor power | | kW | 11 |

Subject to technical changes without notice / Detailed dimension drawings and load data available on request / Dated: 04/2012