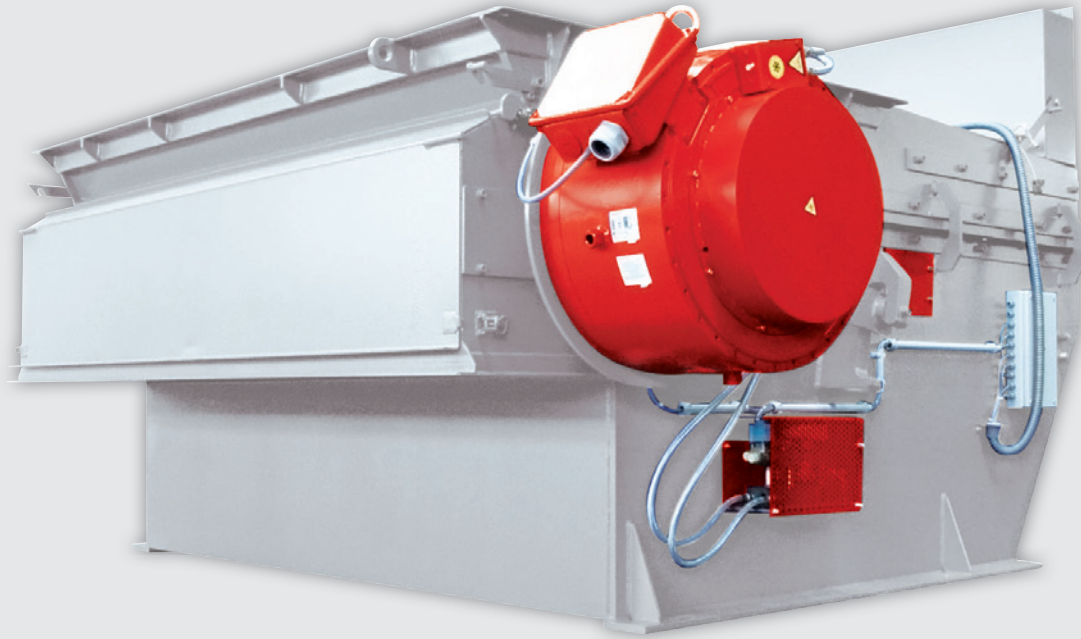


# VAZ 2400 S

TECHNOLOGY FOR A SUSTAINABLE TOMORROW



Shredding



## APPLICATION

Wood waste, paper, data medium, textiles, packaging material and plastics.

**Vecoplan**<sup>®</sup>

# VAZ 2400 S

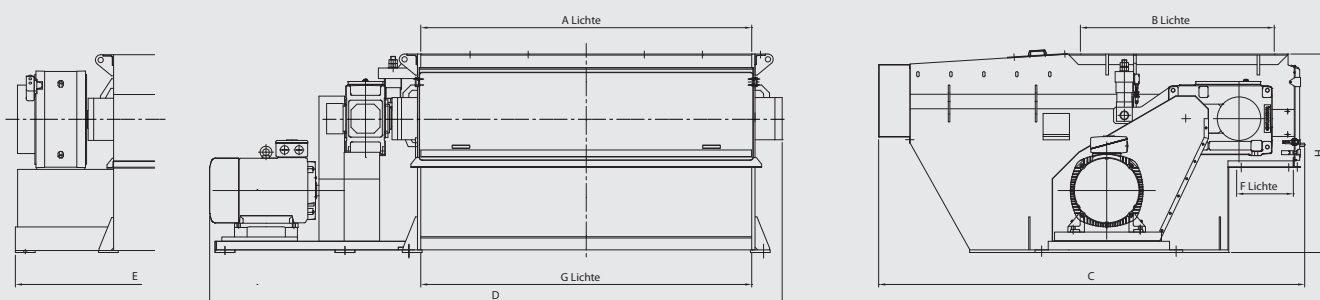
TECHNOLOGY FOR A SUSTAINABLE TOMORROW



Shredding

Hi Torc®

Standard-U



## DETAILS

			VAZ 2400 S	
Rotor diameter		mm		370
Infeed opening	A	mm		2510
	B	mm		1469
Overall dimensions	Conventional	C	mm	3230
		D	mm	4350
	HiTorc®	C	mm	3230
		E	mm	3720
Material outlet	F	mm		430
	G	mm		2510
Height	H	mm		1500

Subject to technical changes without notice / Detailed dimension drawings and load data available on request / Dated: 04/2012