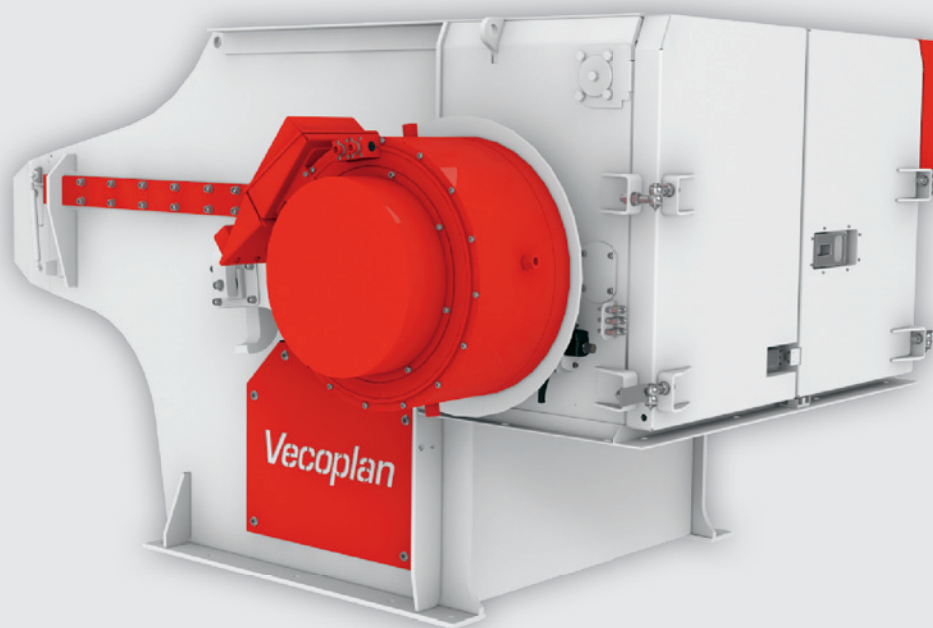


VAZ 1300-1600 XL M

TECHNOLOGY FOR A SUSTAINABLE TOMORROW



Shredding



NEW
GENERATION

APPLICATION

Waste timber, demolition timber, log end pieces, slab pieces, bark,
short-cuts, paper, data carriers, textiles, packaging material and plastics

Vecoplan[®]

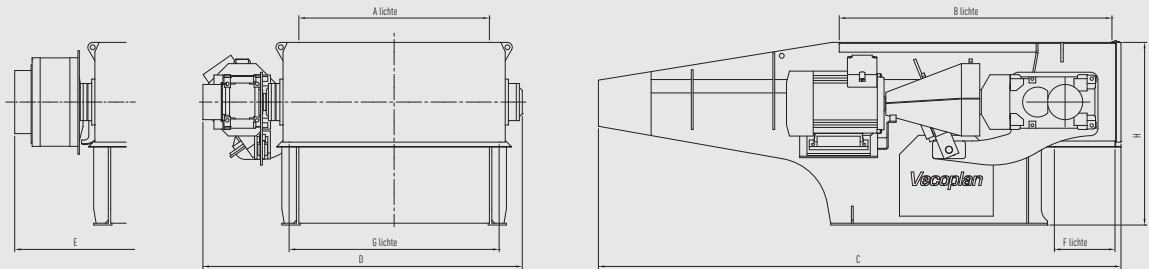
VAZ 1300-1600 XL M

TECHNOLOGY FOR A SUSTAINABLE TOMORROW



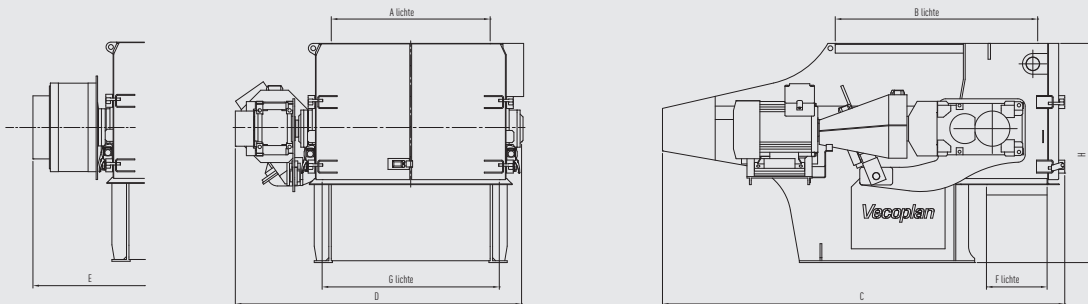
Shredding

VAZ 1300 + 1600 STANDARD



VAZ 1300 + 1600 DELUXE

- swing-out screen
- adjustable counter-knife bar



DETAILS

			VAZ 1300 S	VAZ 1300 M	VAZ 1300 XL M	VAZ 1600 S	VAZ 1600 XL S	VAZ 1600 M	VAZ 1600 XL M	
Rotor diameter		mm	370	370	495	370	495	370	495	
Infeed opening	A	mm	1305	1305	1305	1565	1565	1565	1565	
	B	mm	1250	1470	1470	1470	1470	2035	2035	
Overall dimensions	Conventional	C (Standard)	mm	2850	3205	3205	3255	3255	4335	4335
		C (Deluxe)	mm	2950	3305	3305	3355	3355	4435	4435
		D	mm	2365	2365	2365	2625	2625	2625	2625
	HiTorc®	C (Standard)	mm	2850	3205	3205	3255	3255	4335	4335
		C (Deluxe)	mm	2950	3305	3305	3355	3355	4435	4435
		E	mm	2365	2365	2365	2625	2625	2625	2625
Material outlet	F	mm	430	430	430	430	430	430	430	
	G	mm	1535	1535	1535	1795	1795	1795	1795	
Height	H (Standard)	mm	1500	1500	1500	1500	1500	1500	1500	
	H (Deluxe)	mm	1800	1800	1900	1800	1900	1800	1900	

Subject to technical changes without notice / Detailed dimension drawings and load data available on request / Dated: 04/2012