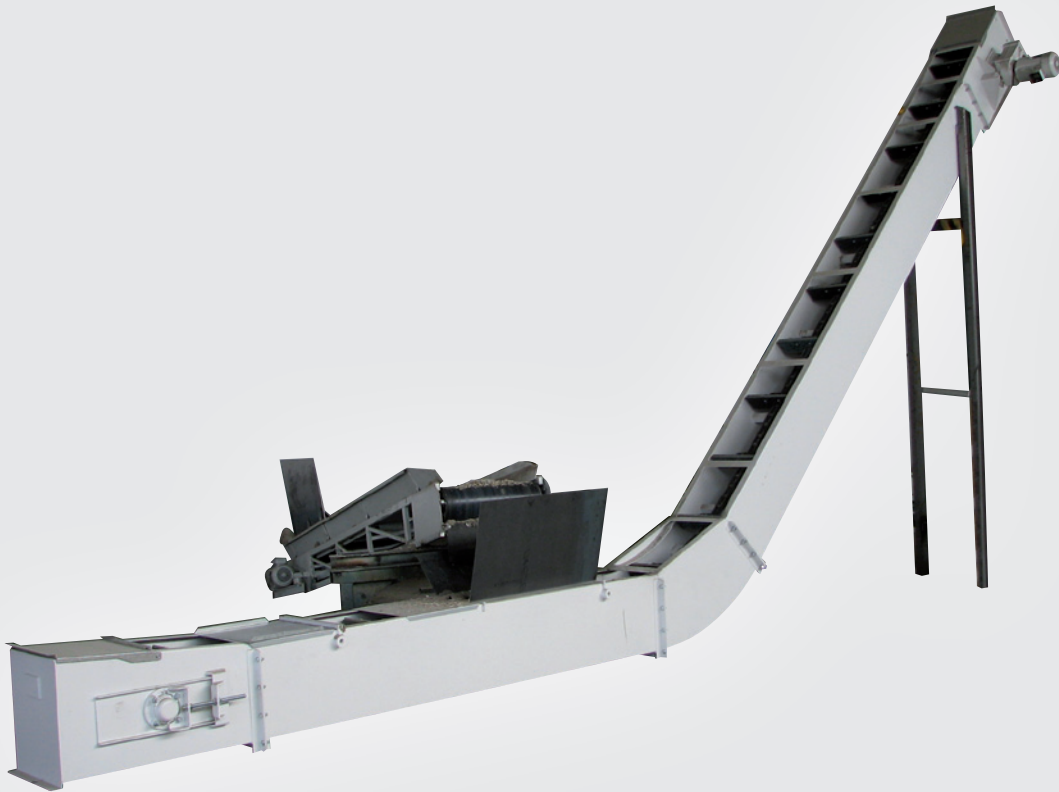


# KKF 1K-U

TECHNOLOGY FOR A SUSTAINABLE TOMORROW



Conveying



## APPLICATION

Chain conveyors with endless chains with feed dogs in closed troughs are suitable for the transport of bulky material.

This version of Vecoplan-chain conveyors transports the material in the lower run by means of a centered conveying chain with 11.2 t breaking load. The chain runs in the return on a low-wear chain guide rail that is entirely covered in the feeding area so that no material can get into the chain.

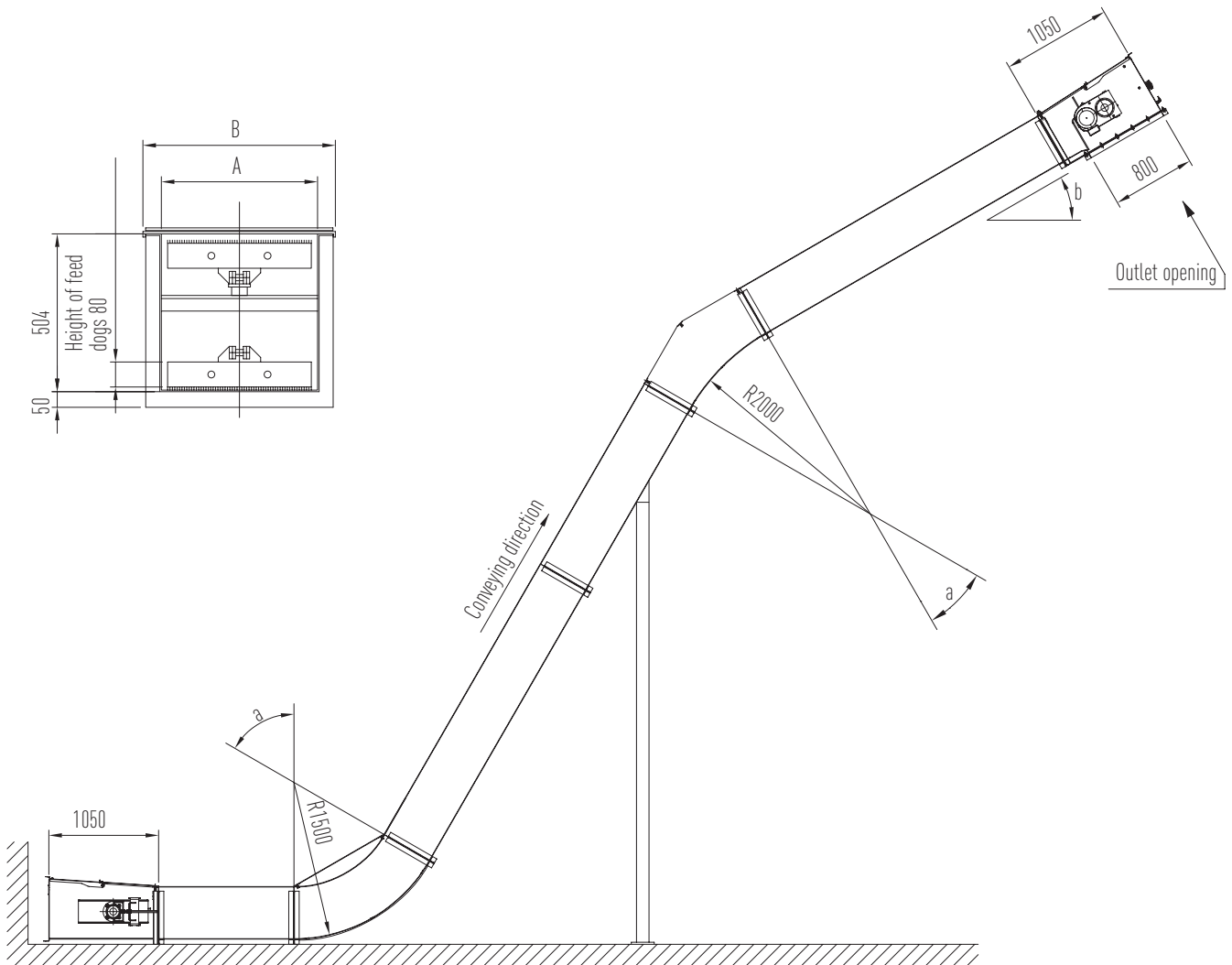
By use of upper and lower elbows the course of chain conveyors is almost on choice. Motorical or pneumatical slides allow additional user-defined discharge positions.

**Vecoplan**<sup>®</sup>

# KKF 1K-U

Example

## KKF 1K-U



### DETAILS

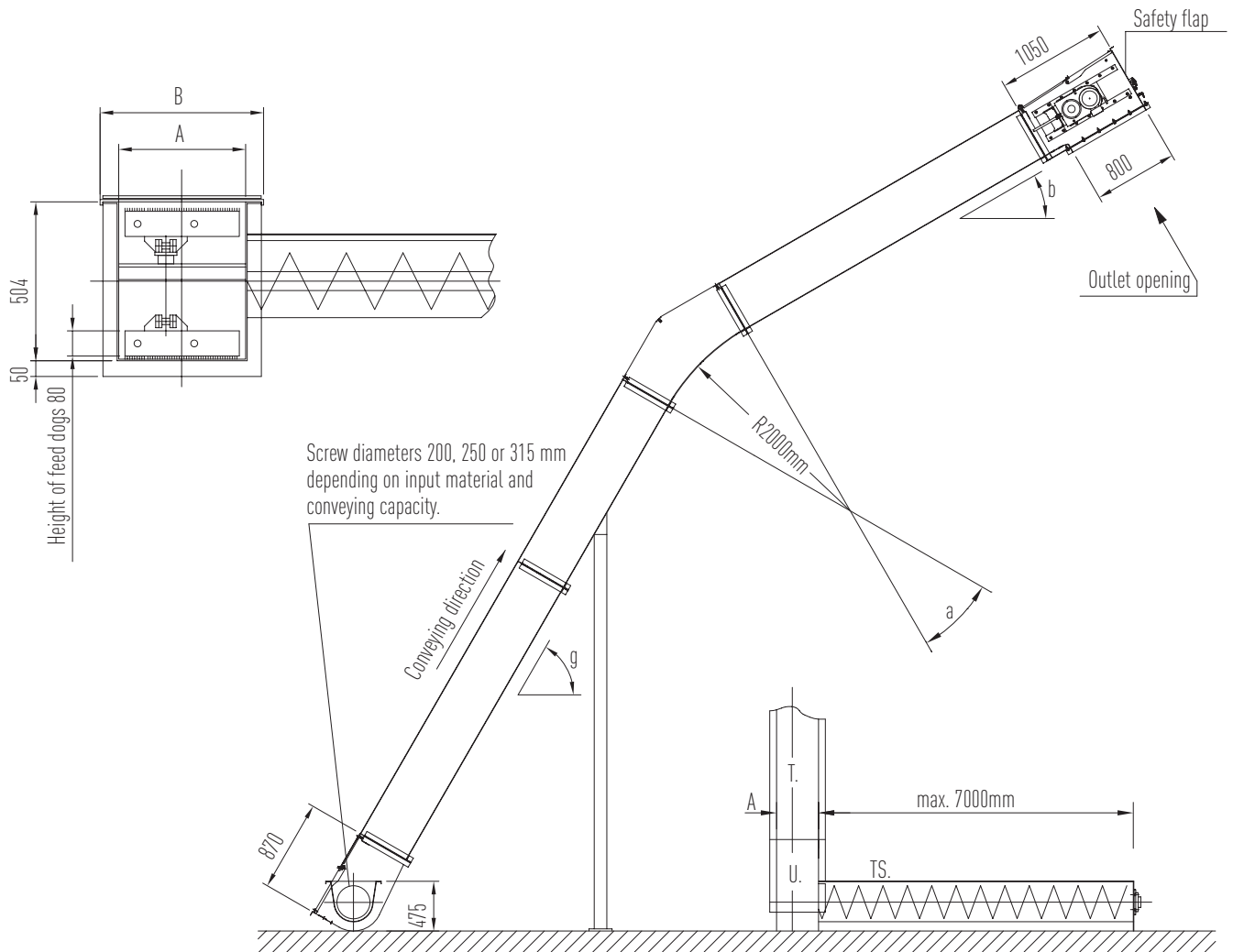
		KKF 400-1K-U	KKF 500-1K-U	KKF 600-1K-U
Width of trough A	mm	400	500	600
Total width B	mm	530	630	730
Conveying capacity approx.*	m <sup>3</sup> /h	46	58	70

Subject to technical changes without notice / Dated 01/2010

\* at conveying speed of 24 m/min. and horizontal course

Example

# KKF 1K-U/TS



## DETAILS

		KKF 400-1K-U/TS	KKF 500-1K-U/TS
Width of trough A	mm	400	500
Total width B	mm	805	608
Conveying capacity approx.*	m <sup>3</sup> /h	46	58

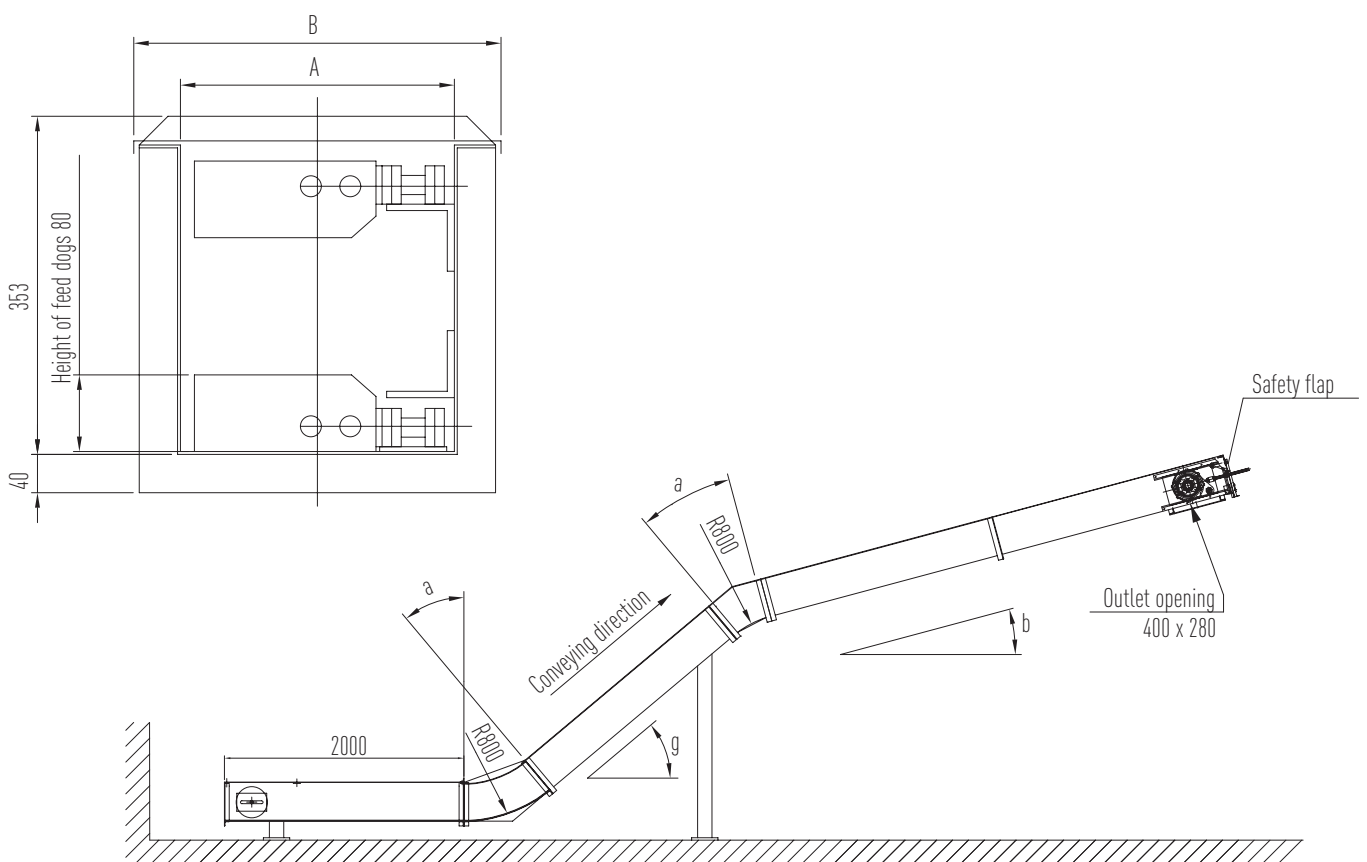
Subject to technical changes without notice / Dated 01/2010

\* at conveying speed of 24 m/min. and horizontal course



Example

# KKF 300-1K-E



## DETAILS

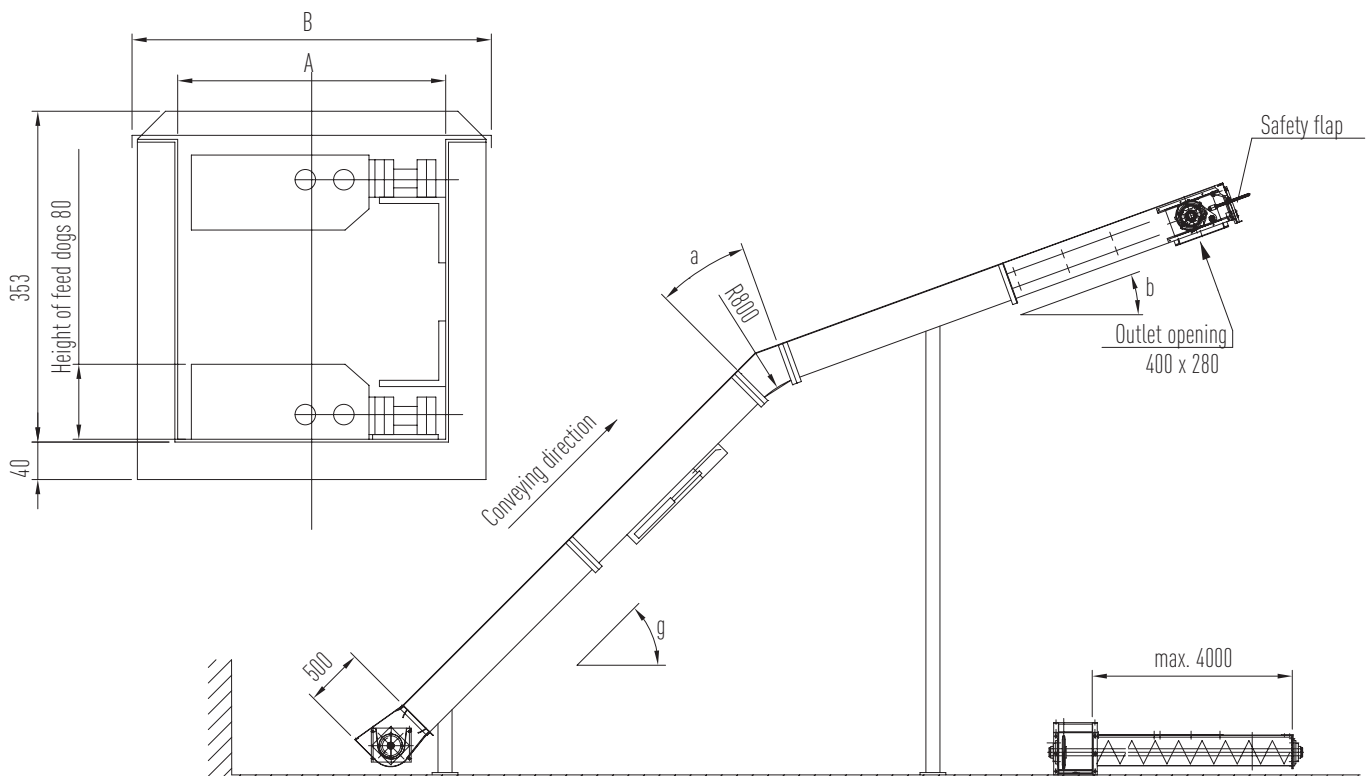
		KKF 300-1K-E
Width of trough A	mm	286
Total width B	mm	386
Conveying capacity approx.*	m <sup>3</sup> /h	20

Subject to technical changes without notice / Dated 01/2010

\* at conveying speed of 24 m/min. and horizontal course

Example

# KKF 300-1K-E/TS



## DETAILS

		KKF 300-1K-E/TS
Width of trough A	mm	286
Total width B	mm	386
Conveying capacity approx.*	m <sup>3</sup> /h	20

Subject to technical changes without notice / Dated 01/2010

\* at conveying speed of 24 m/min. and horizontal course

# KKF 1K-U

TECHNOLOGY FOR A SUSTAINABLE TOMORROW



Conveying



## KKF 400/500/600-1K-U

This version of Vecoplan-chain conveyors transports the material in the lower run by means of a centered conveying chain with 11.2 t breaking load. The chain runs in the return on a low-wear chain guide rail that is entirely covered in the feeding area so that no material can get into the chain.

By use of upper and lower elbows the course of chain conveyors is almost on choice. Motorical or pneumatical slides allow additional user-defined discharge positions.



## KKF 400/500-1K-U/TS

This version of Vecoplan-chain conveyors transports the material in the lower run by means of a centered conveying chain with 11.2 t breaking load. The chain runs in the return on a low-wear chain guide rail that is entirely covered in the feeding area so that no material can get into the chain. The material can e.g. be removed from a bunker by a laterally mounted screw. Further these conveyors are used e.g. after push & pull rod dischargers with appropriate discharge capacities.

By use of upper and lower elbows the course of chain conveyors is almost on choice. Motorical or pneumatical slides allow additional user-defined discharge positions.



## KKF 300-1K-E

This version of Vecoplan-chain conveyors transports the material in the lower run by means of one outside conveying chain with 11.2 t breaking load. The chain runs on a low-wear chain guide rail that is entirely covered so that no material can get into the chain.

The KKF 300-1K-E is particularly suitable for transporting small quantities of wood chips, wood shavings or sawdust, e.g. as feeding for a boiler plant.

By use of upper and lower elbows the course of chain conveyors is almost on choice.



## KKF 300-1K-E/TS

This version of Vecoplan-chain conveyors transports the material in the lower run by means of one outside conveying chain with 11.2 t breaking load. The chain runs on a low-wear chain guide rail that is entirely covered so that no material can get into the chain. The material can e.g. be removed from a bunker by a laterally mounted screw. Further these conveyors are used e.g. after push & pull rod dischargers with appropriate discharge capacities.

The KKF 300-1K-E is particularly suitable for transporting small quantities of wood chips, wood shavings or sawdust, e.g. as feeding for a boiler plant.